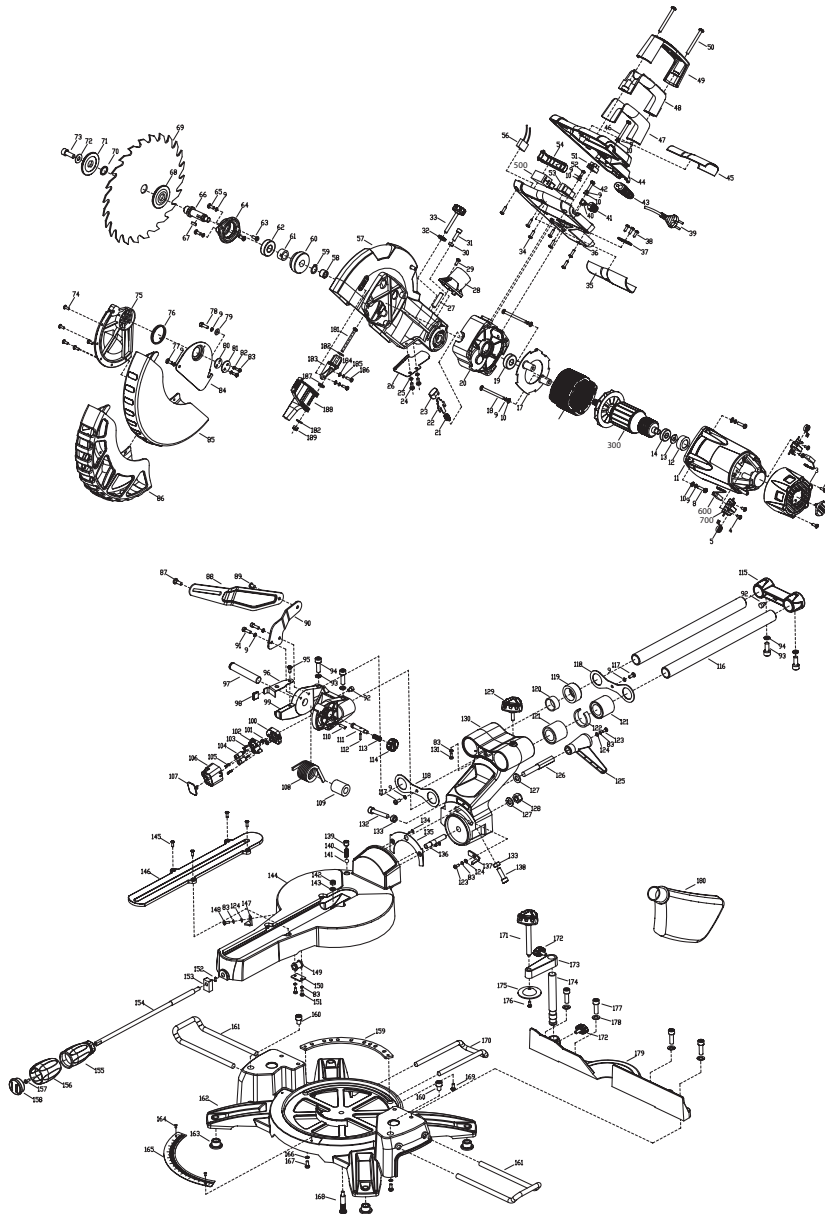




SI 850/1

SIERRA INGLETADORA COMPUESTA



SI 850/1



SIERRA INGLETADORA COMPUESTA



1	SI850-1R1001	TAPON	LOGO CAP	66	SI850-1R1066	EJE	SPINDLE	131	SI850-1R1131	TORNILLO	SCREW
2	SI850-1R1002	TORNILLO	SCREW	67	SI850-1R1067	LLAVE	KEY	132	SI850-1R1132	TORNILLO	SOCKET HEAD SCREW
3	SI850-1R1003	CUBIERTA DE MOTOR	MOTOR COVER	68	SI850-1R1068	REBORDE INTERNO	BLADE FLANGE INNER	133	SI850-1R1133	TUERCA	NUT
4	SI850-1R1004	TORNILLO	SCREW	69	SI850-1R1069	HOJA	BLADE	134	SI850-1R1134	TORNILLO	SUNK SCREW
5	SI850-1R1005	RESORTE	BRUSH SPRING	70	SI850-1R1070	ARANDELA	BLADE WASHER	135	SI850-1R1135	CUBIERTA DE SEGURIDAD	SAFETY COVER
700	SI850-1R1700	PORTACARBONES	BRUSH HOLD	71	SI850-1R1071	REBORDE EXTERNO	BLADE FLANGE OUTER	136	SI850-1R1136	PERNO	DOUBLE STUD
600	SI850-1R1600	JGO DE CARBONES	BRUSH	72	SI850-1R1072	ARANDELA	WASHER	137	SI850-1R1137	PUNTEADOR	BEVER POINTER
8	SI850-1R1008	TORNILLO	SCREW	73	SI850-1R1073	PERNO	BLADE BOLT	138	SI850-1R1138	TORNILLO	SOCKET HEAD SCREW
9	SI850-1R1009	ARANDELA	SPRING WASHER	74	SI850-1R1074	REMACHE	RIVET	139	SI850-1R1139	TORNILLO	HEX GRUB SCREW
10	SI850-1R1010	ARANDELA	WASHER	75	SI850-1R1075	CENTRO DE MOLDE	CAST CENTRE	140	SI850-1R1140	RESORTE	DETENT SPRING
11	SI850-1R1011	CARCASA DE MOTOR	MOTOR HOUSING	76	SI850-1R1076	RESORTE	TORSION SPRING	141	SI850-1R1141	RODILLO DETENTOR	DETENT ROLL
12	SI850-1R1012	PIE DE GOMA	RUBBER BOOT	77	SI850-1R1077	TORNILLO	SPECIAL SCREW	142	SI850-1R1142	TUERCA	LOCKNUT
13	SI850-1R1013	ARANDELA	WAVE WSHER	78	SI850-1R1078	TORNILLO	SOCKET HEAD SCREW	143	SI850-1R1143	ARANDELA	WASHER
14	SI850-1R1014	RODAMIENTO	BEARING	79	SI850-1R1079	ARANDELA	BIG WASHER	144	SI850-1R1144	MESA GIRATORIA	TURNTABLE
300	SI850-1R1300	INDUCIDO	ARMATURE	80	SI850-1R1080	PLACA GUARDA CHICA	PLATE GUARDING(SMALL)	145	SI850-1R1145	TORNILLO	SCREW
400	SI850-1R1400	CAMPO	STATOR	81	SI850-1R1081	PLACA GUARDA GRANDE	PLATE GUARDING(BIG)	146	SI850-1R1146	INSERTO DE CORTE	CUTTING INSERT
17	SI850-1R1017	SILENCIADOR	FAN BAFFLE	82	SI850-1R1082	ARANDELA	SPRING WASHER	147	SI850-1R1147	PUNTEADOR	MITRE POINTER
18	SI850-1R1018	TORNILLO	SCREW	83	SI850-1R1083	TORNILLO	SCREW	148	SI850-1R1148	TORNILLO	SCREW
19	SI850-1R1019	RODAMIENTO	BEARING	84	SI850-1R1084	PLACA	MOVING GUARD PLATE	149	SI850-1R1149	PERNO	TURNTABLE BOLT
20	SI850-1R1020	CAJA DE ENGRANAJES	GEAR CASE	85	SI850-1R1085	GUARDA MOVIL	MOVING GUARD	150	SI850-1R1150	CUBIERTA	TURNTABLE BOLT COVER
21	SI850-1R1021	RESORTE	GEAR LOCK PIN SPRING	86	SI850-1R1086	CUBIERTA	MOVING GUARD COVER	151	SI850-1R1151	TORNILLO	SCREW
22	SI850-1R1022	PERNO	GEAR LOCK PIN	87	SI850-1R1087	TORNILLO	SHOULDER SCREW	152	SI850-1R1152	PERNO	ROLLED PIN
23	SI850-1R1023	TAPON	GEAR LOCK PIN CAP	88	SI850-1R1088	UNION	LINKAGE	153	SI850-1R1153	PERNO	LOCK BOOT
24	SI850-1R1024	TORNILLO	SCREW	89	SI850-1R1089	REMACHE	RIVET	154	SI850-1R1154	PERNO	LOCK BOLT
25	SI850-1R1025	ARANDELA	SPRING WASHER	90	SI850-1R1090	SOPORTE	LINKAGE SUPPORT	155	SI850-1R1155	MANIJA	LOCK HANDLE
26	SI850-1R1026	PLACA	ANTI-FINGER TOUCH PLATE	91	SI850-1R1091	TORNILLO	SOCKET HEAD SCREW	156	SI850-1R1156	MOLDE DE MANIJA	LOCK HANDLE OVERMOULD
27	SI850-1R1027	TORNILLO	HEX GRUB SCREW	92	SI850-1R1092	POLO DE GOMA	RUBBER POLE	157	SI850-1R1157	TORNILLO	SCREW
28	SI850-1R1028	ESCAPE	EXHAUST PORT	93	SI850-1R1093	ARANDELA	SPRING WASHER	158	SI850-1R1158	TAPON	LOCK HANDLE CAP
29	SI850-1R1029	TORNILLO	SCREW	94	SI850-1R1094	TORNILLO	SOCKET HEAD SCREW	159	SI850-1R1159	PLACA	DETENT PLATE
30	SI850-1R1030	TUERCA	NUT	95	SI850-1R1095	TORNILLO	SCREW	160	SI850-1R1160	TORNILLO	SOCKET HEAD SCREW
31	SI850-1R1031	TORNILLO	SOCKET HEAD SCREW	96	SI850-1R1096	SOPORTE	TRENCH DEPTH BRACKET	161	SI850-1R1161	BARRA DE SOPORTE	SUPPORT BAR
32	SI850-1R1032	TUERCA	KNURLED THIN NUT	97	SI850-1R1097	EJE PIVOTE	PIVOT SHAFT	162	SI850-1R1162	BASE	BASE
33	SI850-1R1033	PERILLA DE AJUSTE	DEPTH OF CUT ADJUST KNOB	98	SI850-1R1098	TAPON	BRACKET CAP	163	SI850-1R1163	PIE DE GOMA	RUBBER FOOT
34	SI850-1R1034	TORNILLO	SCREW	99	SI850-1R1099	SOPORTE	BRACKET	164	SI850-1R1164	REMACHE DE ETIQUETA	NAMEPLATE RIVET
35	SI850-1R1035	MOLDE INFERIOR	LOWER HANDLE OVERMOULD	100	SI850-1R1100	PLACA	LASER FIXED PLATE	165	SI850-1R1165	REGLA METALICA	ANGLE SCALE
36	SI850-1R1036	MANIJA INFERIOR	LOWER HANDLE	101	SI850-1R1101	TORNILLO	SCREW	166	SI850-1R1166	ARANDELA	SPRING WASHER
37	SI850-1R1037	PINZA	COLD CLAMP	102	SI850-1R1102	PORTADOR DE LASER	DUAL LASER CARRIER	167	SI850-1R1167	TORNILLO	SCREW
38	SI850-1R1038	TORNILLO	SCREW	103	SI850-1R1103	TORNILLO	SCREW	168	SI850-1R1168	PERNO	BOLT KNURLED
39	SI850-1R1039	ENCHUFE	CABLE PLUG	104	SI850-1R1104	LASER	LASER	169	SI850-1R1169	TORNILLO	SCREW
40	SI850-1R1040	INTERRUPTOR DE LASER	LASER SWITCH	105	SI850-1R1105	TORNILLO	SCREW	170	SI850-1R1170	BARRA DE SOPORTE	SUPPORT BAR
41	SI850-1R1041	TAPON	LASER SWITCH CAP	106	SI850-1R1106	CAJA DE LASER	LASER CASE	171	SI850-1R1171	PERILLA	WORKPIECE KNOB
42	SI850-1R1042	TORNILLO	SCREW	107	SI850-1R1107	VENTANA DE LASER	LASER WINDOW	172	SI850-1R1172	PERILLA	KNOB
43	SI850-1R1043	PROTECTOR	CORD PROTECTOR	108	SI850-1R1108	RESORTE	BIG TORSION SPRING	173	SI850-1R1173	BRAZO DE SOPORTE	SUPPORT ARM
44	SI850-1R1044	MANIJA SUPERIOR	UPPER HANDLE	109	SI850-1R1109	MANGA	SPRING SLEEVE	174	SI850-1R1174	POLO DE SOPORTE	SUPPORT POLE
45	SI850-1R1045	MOLDE SUPERIOR	UPPER HANDLE OVERMOULD	110	SI850-1R1110	TORNILLO	HEX GRUB SCREW	175	SI850-1R1175	PINZA	CLAMP
46	SI850-1R1046	TORNILLO	SCREW	111	SI850-1R1111	PERNO	LOCK PIN	176	SI850-1R1176	TORNILLO	SCREW
47	SI850-1R1047	MOLDE DE MANIJA	LOWER CARRY HANDLE OVERMOULD	112	SI850-1R1112	PERNO	ROLLED PIN	177	SI850-1R1177	TORNILLO	SOCKET HEAD SCREW
48	SI850-1R1048	MANIJA INFERIOR	LOWER CARRY HANDLE	113	SI850-1R1113	RESORTE	LOCK PIN SPRING	178	SI850-1R1178	ARANDELA	WASHER
49	SI850-1R1049	MANIJA SUPERIOR	UPPER CARRY HANDLE	114	SI850-1R1114	TAPON	LOCK PIN CAP	179	SI850-1R1179	CERCA	FENCE
50	SI850-1R1050	TORNILLO	SCREW	115	SI850-1R1115	TAPON	SLIDE END CAP	180	SI850-1R1180	BOLSA RECOLECTORA	DUST BAG
51	SI850-1R1051	POSTE	BINDING POST	116	SI850-1R1116	DESILIZADOR	SLIDE	181	SI850-1R1181	TORNILLO	SCREW
52	SI850-1R1052	TORNILLO	SCREW	117	SI850-1R1117	TORNILLO	SCREW	182	SI850-1R1182	ARANDELA	BIG WASHER
53	SI850-1R1053	TRANSFORMADOR	TRANSFORMER	118	SI850-1R1118	CUBIERTA	BEARING COVER	183	SI850-1R1183	BLOQUEO DE SIERRA	SHIELD LOCK SHEET
54	SI850-1R1054	GATILLO	TRIGGER	119	SI850-1R1119	SET DE RODAMIENTOS	BEARING SET	184	SI850-1R1184	ARANDELA	WASHER
500	SI850-1R1500	INTERRUPTOR	SWITCH	120	SI850-1R1120	RODAMIENTO	GLIDE BEARING	185	SI850-1R1185	ARANDELA	SPRING WASHER
56	SI850-1R1056	CAPACITOR	CAPACITOR	121	SI850-1R1121	RODAMIENTO	LINEAR BEARING	186	SI850-1R1186	TORNILLO	SCREW
57	SI850-1R1057	GUARDA	FIXED GUARD	122	SI850-1R1122	RESORTE	SPRING LOOP	187	SI850-1R1187	RESORTE	SPRING
58	SI850-1R1058	RODAMIENTO	NEEDLE BEARING	123	SI850-1R1123	TORNILLO	SCREW	188	SI850-1R1188	PIEZA DE ESCUDO	SHIELD LOCK PIECE
59	SI850-1R1059	CLIP CIRCULAR	C CLIP	124	SI850-1R1124	ARANDELA	WASHER	189	SI850-1R1189	TUERCA	LOCKNUT
60	SI850-1R1060	ENGRANAJE	GEAR	125	SI850-1R1125	MANIJA	BEVEL LOCK HANDLE				
61	SI850-1R1061	ARANDELA	GEAR WASHER	126	SI850-1R1126	PERNO	BEVEL LOCK BOLT				
62	SI850-1R1062	RODAMIENTO	BEARING	127	SI850-1R1127	ARANDELA	WASHER				
63	SI850-1R1063	TORNILLO	SCREW	128	SI850-1R1128	TUERCA	LOCKNUT				
64	SI850-1R1064	CUBIERTA DE ENGRANAJES	GEAR CASE COVER	129	SI850-1R1129	PERILLA	SLIDE LOCK KNOB				
65	SI850-1R1065	TORNILLO	SCREW	130	SI850-1R1130	BRAZO	ARM				