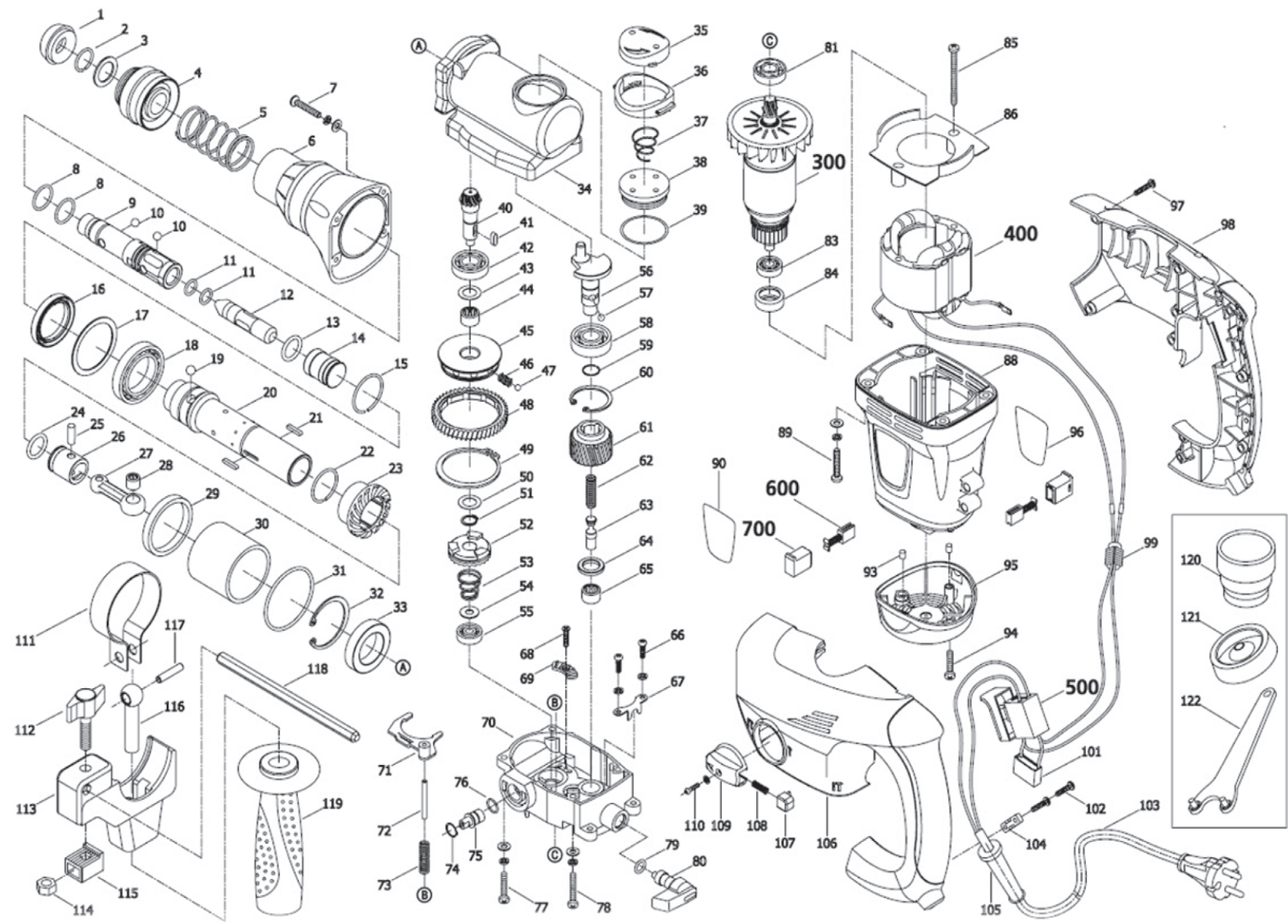




RM 732

ROTOMARTILLO ELECTRONEUMÁTICO





RM 732

ROTOMARTILLO ELECTRONEUMÁTICO

| | | | | | | | | |
|----|------------|---------------------|-----|------------|------------------------|-----|------------|------------------------|
| 1 | RM732R1001 | TAPA FRONTAL | 55 | RM732R1055 | RODAMIENTO | 109 | RM732R1109 | PERILLA |
| 2 | RM732R1002 | ARANDELA | 56 | RM732R1056 | CIGÜEÑAL | 110 | RM732R1110 | BULON |
| 3 | RM732R1003 | ARANDELA | 57 | RM732R1057 | BOLILLA DE ACERO | 111 | RM732R1111 | AGARRADERA |
| 4 | RM732R1004 | CAPUCHON | 58 | RM732R1058 | RODAMIENTO | 112 | RM732R1112 | BULON |
| 5 | RM732R1005 | RESORTE | 59 | RM732R1059 | ARANDELA | 113 | RM732R1113 | SOPORTE |
| 6 | RM732R1006 | CARCAZA DE CILINDRO | 60 | RM732R1060 | ARANDELA | 114 | RM732R1114 | TUERCA |
| 7 | RM732R1007 | BULON | 61 | RM732R1061 | ENGRANAJE | 115 | RM732R1115 | SOPORTE |
| 8 | RM732R1008 | O'RING | 62 | RM732R1062 | RESORTE | 116 | RM732R1116 | BULON |
| 9 | RM732R1009 | SOPORTE | 63 | RM732R1063 | PERNO DE LEVANTE | 117 | RM732R1117 | PERNO |
| 10 | RM732R1010 | BOLILLA DE ACERO | 64 | RM732R1064 | ANILLO | 118 | RM732R1118 | MEDIDOR DE PROFUNDIDAD |
| 11 | RM732R1011 | O'RING | 65 | RM732R1065 | RODAMIENTO | 119 | RM732R1119 | MANGO AUXILIAR |
| 12 | RM732R1012 | MARTILLO SECUNDARIO | 66 | RM732R1066 | TORNILLO | 120 | RM732R1120 | RECIPIENTE DE GRASA |
| 13 | RM732R1013 | O'RING | 67 | RM732R1067 | PLACA DE TRABA | 121 | RM732R1121 | RECIPIENTE PARA POLVO |
| 14 | RM732R1014 | MARTILLO | 68 | RM732R1068 | BULON | 122 | RM732R1122 | LLAVE |
| 15 | RM732R1015 | ARANDELA | 69 | RM732R1069 | PLACA | | | |
| 16 | RM732R1016 | SELLO DE ACEITE | 70 | RM732R1070 | CAJA DE ENGRANAJES | | | |
| 17 | RM732R1017 | ARANDELA | 71 | RM732R1071 | BRAZO | | | |
| 18 | RM732R1018 | RODAMIENTO | 72 | RM732R1072 | PERNO | | | |
| 19 | RM732R1019 | BOLILLA DE ACERO | 73 | RM732R1073 | RESORTE | | | |
| 20 | RM732R1020 | CILINDRO | 74 | RM732R1074 | ARANDELA | | | |
| 21 | RM732R1021 | PERNO | 75 | RM732R1075 | EJE DE BOTON | | | |
| 22 | RM732R1022 | ARANDELA | 76 | RM732R1076 | O'RING | | | |
| 23 | RM732R1023 | ENGRANAJE | 77 | RM732R1077 | BULON | | | |
| 24 | RM732R1024 | O'RING | 78 | RM732R1078 | BULON | | | |
| 25 | RM732R1025 | PERNO DE PISTON | 79 | RM732R1079 | O'RING | | | |
| 26 | RM732R1026 | PISTON | 80 | RM732R1080 | PERILLA DE INTERRUPTOR | | | |
| 27 | RM732R1027 | BIELA | 81 | RM732R1081 | RODAMIENTO | | | |
| 28 | RM732R1028 | RODAMIENTO | 300 | RM732R1300 | INDUCIDO | | | |
| 29 | RM732R1029 | O'RING | 83 | RM732R1083 | RODAMIENTO | | | |
| 30 | RM732R1030 | ANILLO | 84 | RM732R1084 | CUBETA | | | |
| 31 | RM732R1031 | O'RING | 85 | RM732R1085 | BULON | | | |
| 32 | RM732R1032 | ARANDELA | 86 | RM732R1086 | DEFLECTOR | | | |
| 33 | RM732R1033 | RODAMIENTO | 400 | RM732R1400 | CAMPO | | | |
| 34 | RM732R1034 | CARCAZA DE CIGÜEÑAL | 88 | RM732R1088 | CARCAZA DE MOTOR | | | |
| 35 | RM732R1035 | TAPA DE CARTER | 89 | RM732R1089 | BULON | | | |
| 36 | RM732R1036 | SOPORTE | 90 | RM732R1090 | ETIQUETA | | | |
| 37 | RM732R1037 | RESORTE | 600 | RM732R1600 | JGO. DE CARBONES | | | |
| 38 | RM732R1038 | TAPA | 700 | RM732R1700 | PORTA CARBONES | | | |
| 39 | RM732R1039 | O'RING | 93 | RM732R1093 | PERNO | | | |
| 40 | RM732R1040 | ENGRANAJE | 94 | RM732R1094 | TORNILLO | | | |
| 41 | RM732R1041 | PERNO | 95 | RM732R1095 | TAPA | | | |
| 42 | RM732R1042 | RODAMIENTO | 96 | RM732R1096 | PLACA | | | |
| 43 | RM732R1043 | ARANDELA | 97 | RM732R1097 | TORNILLO | | | |
| 44 | RM732R1044 | RODAMIENTO | 98 | RM732R1098 | MANGO DERECHO | | | |
| 45 | RM732R1045 | NUCLEO | 99 | RM732R1099 | INDUCTOR | | | |
| 46 | RM732R1046 | RESORTE | 500 | RM732R1500 | INTERRUPTOR | | | |
| 47 | RM732R1047 | BOLILLA DE ACERO | 101 | RM732R1101 | CAPACITOR | | | |
| 48 | RM732R1048 | ENGRANAJE | 102 | RM732R1102 | TORNILLO | | | |
| 49 | RM732R1049 | ARANDELA | 103 | RM732R1103 | CABLE | | | |
| 50 | RM732R1050 | ARANDELA | 104 | RM732R1104 | PRENSA CABLE | | | |
| 51 | RM732R1051 | ARANDELA | 105 | RM732R1105 | PASA CABLE | | | |
| 52 | RM732R1052 | EMBRAGUE | 106 | RM732R1106 | MANGO IZQUIERDO | | | |
| 53 | RM732R1053 | RESORTE | 107 | RM732R1107 | BOTON DE TRABA | | | |
| 54 | RM732R1054 | ARANDELA | 108 | RM732R1108 | RESORTE | | | |