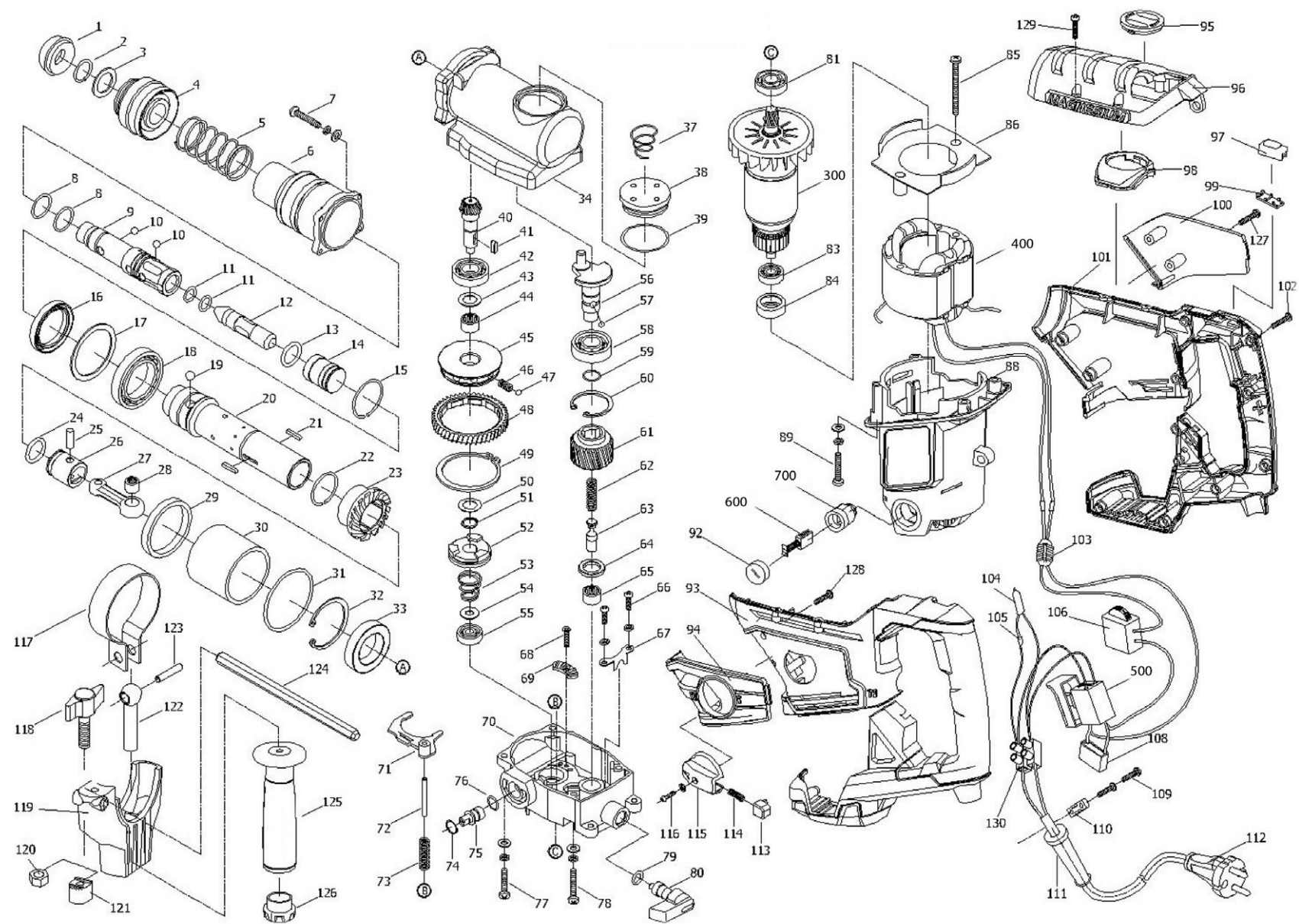




RM 936K

ROTOMARTILLO ELECTRONEUMÁTICO





RM 936K

ROTOMARTILLO ELECTRONEUMÁTICO



1	RM936R1001	CUBIERTA	FRONT COVER	66	RM936R1068	PERNO	BOLT M4*8
2	RM936R1002	CLIP CIRCULAR	AXILE CIRCLIP 20*2	67	RM936R1069	PLACA	THRUST PLATE
3	RM936R1003	ARANDELA	WASHER	68	RM936R1070	CARCASA DE ENGRANAJES	GEAR HOUSING
4	RM936R1004	MANGA	SLEEVE	69	RM936R1071	PUA	PLECTRUM
5	RM936R1005	RESORTE	SPRING	70	RM936R1072	PERNO	PIN 4X40
6	RM936R1006	CAJA DE CILINDROS	CYLINDER CASE	71	RM936R1073	RESORTE	SPRING
7	RM936R1007	PERNO	BOLT M4*16	72	RM936R1074	CLIP CIRCULAR	CIRCLIP Ø15
8	RM936R1008	O RING	O RING 20*2	73	RM936R1075	EJE LATERAL	SIDE SWITCH AXIS
9	RM936R1009	MANGA DE GUARDA	GUARD RING SLEEVE	74	RM936R1076	O RING	O-RING 11X2
10	RM936R1010	BOLILLA DE ACERO	STEEL BALLØ7.14	75	RM936R1077	PERNO	BOLT M5X20
11	RM936R1011	O RING	O-RING 11X2	76	RM936R1078	PERNO	BOLT M5X35
12	RM936R1012	GOLPEADOR SECUNDARIO	SECOND STRIKER	77	RM936R1079	O RING	O-RING 9X2
13	RM936R1013	O RING	O-RING 18X3	78	RM936R1080	PERILLA	SWITCH KNOB
14	RM936R1014	EMBOLO	RAM	79	RM936R1081	RODAMIENTO	BEARING 6001
15	RM936R1015	CLIP CIRCULAR	CIRCLIP 35*2	300	RM936R1300	INDUCIDO	ROTOR
16	RM936R1016	SELLO DE ACEITE	OIL SEAL	81	RM936R1083	RODAMIENTO	BEARING 608
17	RM936R1017	ARANDELA	BIG WASHER	82	RM936R1084	CUBIERTA	BEARING COVER
18	RM936R1018	RODAMIENTO	BEARING 61907	83	RM936R1085	PERNO	TAP BOLT ST4.8X60
19	RM936R1019	BOLILLA DE ACERO	STEEL BALLØ7.94	84	RM936R1086	BAFLE	AIR BAFFLE
20	RM936R1020	CILINDRO	CYLINDER	400	RM936R1400	CAMPO	STATOR
21	RM936R1021	PERNO	PIN 3*16	86	RM936R1088	CARCASA DE MOTOR	MOTOR HOUSING
22	RM936R1022	CLIP CIRCULAR	AXILE CIRCLIP 30*2	87	RM936R1089	PERNO	BOLT M5X28
23	RM936R1023	ENGRANAJE GRANDE	BIG BEVEL GEAR	700	RM936R1700	PORTACARBONES	BRUSH HOLDER
24	RM936R1024	O RING	O-RING 18X3	600	RM936R1600	JGO. DE CARBONES	CARBON BRUSH ASSEMBLY
25	RM936R1025	PERNO DE PISTON	PISTON PIN	90	RM936R1092	TAPA	BRUSH CAP
26	RM936R1026	PISTON	PISTON	91	RM936R1093	CUBIERTA IZQUIERDA	LEFT COVER
27	RM936R1027	EJE CONECTOR	CONNECTING ROD	92	RM936R1094	CUBIERTA DECORATIVA	LEFT DECORATION CAP
28	RM936R1028	RODAMIENTO	NEEDLE BEARING HK0810	93	RM936R1095	TAPON DE ACEITE	OIL CAP
29	RM936R1029	ANILLO DE GOMA	RUBBER RING	94	RM936R1096	TAPON SUPERIOR	TOP CAP
30	RM936R1030	CONDUCTO DE PLASTICO	PLASTIC DUCT	95	RM936R1097	ASIENTO DE NEON	NEON SEAT
31	RM936R1031	O RING	O-RING 55.5X2.5	96	RM936R1098	ASIENTO DE ACEITE	OIL SEAT
32	RM936R1032	CLIP CIRCULAR	CIRCLIP 47	97	RM936R1099	TAPON DE NEON	NEON CAP
33	RM936R1033	RODAMIENTO	OILY BEARING	98	RM936R1100	CUBIERTA DECORATIVA	RIGHT DECORATION CAP
34	RM936R1034	CAJA DE CIGÜEÑAL	CRANKSHAFT CASE	99	RM936R1101	CUBIERTA DERECHA	RIGHT COVER
35	RM936R1037	RESORTE	DISHING SPRING	100	RM936R1102	TORNILLO	TAPPING SCREW
36	RM936R1038	CUBIERTA	OIL COVER	101	RM936R1103	INDUCTOR	INDUCTOR
37	RM936R1039	O RING	O-RING 38X2	102	RM936R1104	LUZ LED	NEON BULB
38	RM936R1040	ENGRANAJE PEQUEÑO	SMALL BEVEL GEAR	103	RM936R1105	RESISTENCIA	RESISTANCE
39	RM936R1041	PERNO	PIN 4*12	104	RM936R1106	DIAL DE VELOCIDAD	DIAL SPEED
40	RM936R1042	RODAMIENTO	BEARING 6002	105	RM936R1500	INTERRUPTOR	SWITCH
41	RM936R1043	ARANDELA	WASHER	106	RM936R1108	CAPACITOR	CAPACITOR
42	RM936R1044	RODAMIENTO	NEEDLE BEARING HK1210	107	RM936R1109	TORNILLO	TAPPING SCREW
43	RM936R1045	NUCLEO DE ENGRANAJES	WHEEL CORE	108	RM936R1110	PINZA DE CABLE	CABLE CLAMP
44	RM936R1046	RESORTE	SPRING	109	RM936R1111	PROTECTOR DE CABLE	CABLE SHEATH
45	RM936R1047	BOLILLA DE ACERO	STEEL BALLØ5	110	RM936R1112	CABLE	CABLE 3M
46	RM936R1048	ENGRANAJE SECUNDARIO	SECOND GEAR	111	RM936R1113	BLOQUE DE LOCALIZACION	LOCATION BLOCK
47	RM936R1049	CLIP CIRCULAR	CIRCLIP 12	112	RM936R1114	RESORTE	KNOB SPRING
48	RM936R1050	ARANDELA	WASHER	113	RM936R1115	PERILLA	KNOB
49	RM936R1051	CLIP CIRCULAR	CIRCLIP 12	114	RM936R1116	ARANDELA Y TORNILLO	SCREW+WASHER
50	RM936R1052	EMBRAGUE	CLUTCH	115	RM936R1117	ARANDELA	CLAMP WASHER
51	RM936R1053	RESORTE	DISHING SPRING	116	RM936R1118	TORNILLO	PLASTIC CAP SCREW
52	RM936R1054	ARANDELA	WASHER	117	RM936R1119	PINZA DE MANIJA	HANDLE CLAMP
53	RM936R1055	RODAMIENTO	BEARING 627	118	RM936R1120	PERNO	BOLT M6
54	RM936R1056	CIGÜEÑAL	CRANKSHAFT	119	RM936R1121	PLACA	GAUGE CLAMP PLATE
55	RM936R1057	BOLILLA DE ACERO	STEEL BALL Ø5.5	120	RM936R1122	PERNO	BOLT
56	RM936R1058	RODAMIENTO	BEARING 6202	121	RM936R1123	PERNO	SPRING POLE PIN
57	RM936R1059	CLIP CIRCULAR	AXILE CIRCLIP 15*1	122	RM936R1124	MEDIDOR DE PROFUNDIDAD	DEPTH GAUGE
58	RM936R1060	CLIP CIRCULAR	CIRCLIP Ø35	123	RM936R1125	MANGO LATERAL	SIDE HANDLE
59	RM936R1061	ENGRANAJE PRINCIPAL	FIRST GEAR	124	RM936R1126	TOPE	HANDLE STOPPLE
60	RM936R1062	RESORTE	SPRING	125	RM936R1127	TORNILLO	TAPPING SCREW
61	RM936R1063	POLO DE LEVANTAMIENTO	LIFTING POLE	126	RM936R1128	TORNILLO	SCREW
62	RM936R1064	ANILLO ANTIFRICCION	ANTI-FRICTION RING	127	RM936R1129	TORNILLO	TAPPING SCREW
63	RM936R1065	RODAMIENTO	NEEDLE BEARING HK1210	128	RM936R1130	TERMINAL DE CONEXIÓN	CONNECTION TERMINAL
64	RM936R1066	TORNILLO	SCREW ASSEMBLY M4X8				
65	RM936R1067	PLACA	LOCKING PLATE				