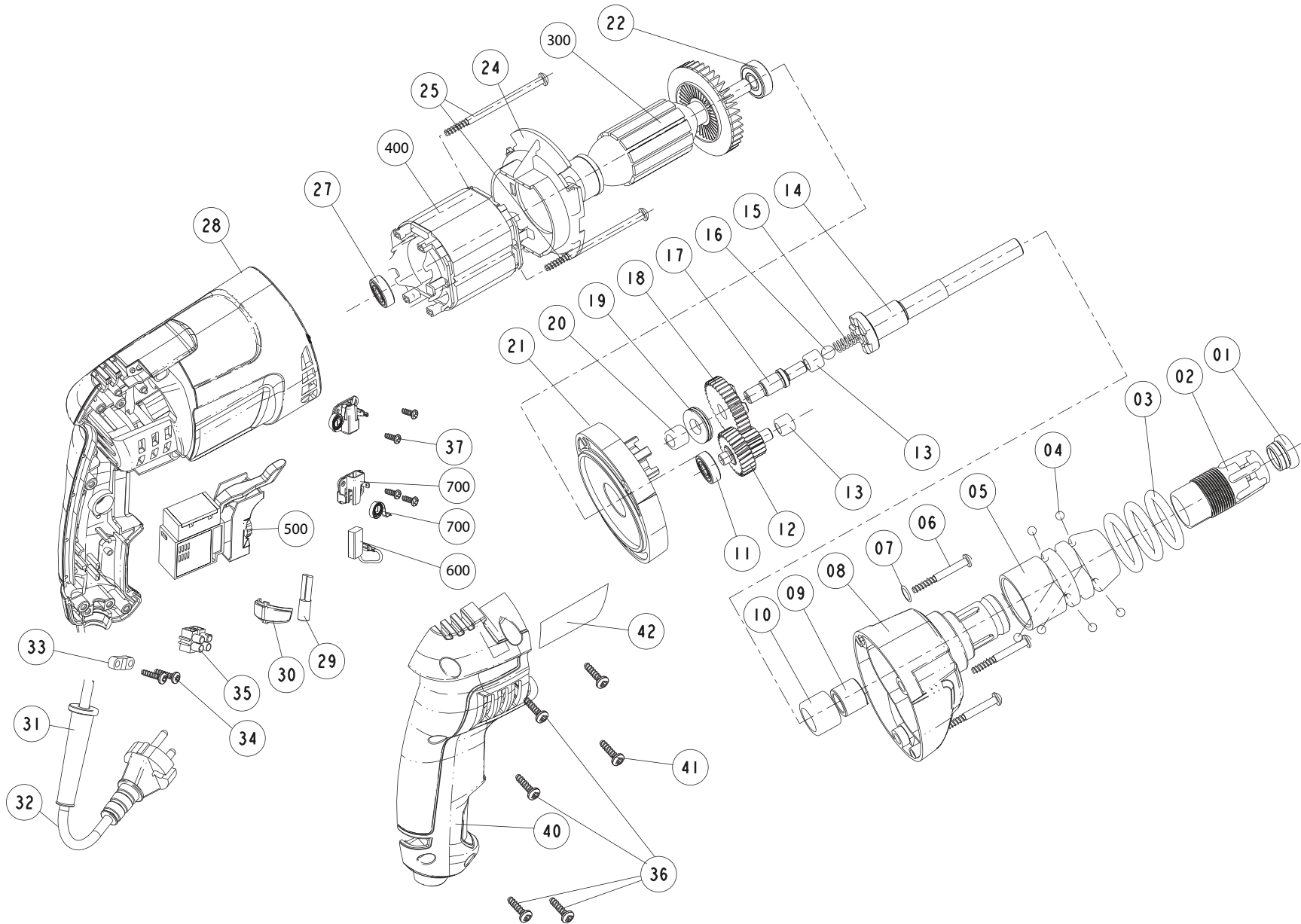




AE 860

ATORNILLADOR





ATORNILLADOR



AE 860

1	AE860R1001	CABEZAL DE AJUSTE	ADJUST HEAD
2	AE860R1002	AJUSTE	ADJUSTER
3	AE860R1003	ANILLO DE GOMA	RUBBER RING
4	AE860R1004	BOLILLA DE ACERO	STEEL BALL
5	AE860R1005	TORNILLO	SCREW COUPLING
6	AE860R1006	TORNILLO	SCREW A
7	AE860R1007	PERNO	PIN
8	AE860R1008	CAJA DE ENGRANAJES	GEAR BOX
9	AE860R1009	RODAMIENTO	BEARING
10	AE860R1010	PERNO DE RODAMIENTO	PIN BEARING
11	AE860R1011	RODAMIENTO	BALL BEARING
12	AE860R1012	ENGRANAJE	BETWEEN GEAR
13	AE860R1013	PERNO DE RODAMIENTO	PIN BEARING
14	AE860R1014	EJE DE SALIDA	OUTPUT SHAFT
15	AE860R1015	RESORTE	SPRING
16	AE860R1016	BOLILLA DE ACERO	STEEL BALL
17	AE860R1017	EJE DE ENGRANAJES	GEARDRIVEN SHAFT
18	AE860R1018	ENGRANAJE	GEAR
19	AE860R1019	RODAMIENTO	ROLLER BEARING
20	AE860R1020	PERNO DE RODAMIENTO	PIN BEARING
21	AE860R1021	SOPORTE	SUPPORTER
22	AE860R1022	RODAMIENTO	BALL BEARING
300	AE860R1300	INDUCIDO	ROTOR
24	AE860R1024	GUIA DE TURBINA	FAN GUIDE
25	AE860R1025	TORNILLO	SCREW C
400	AE860R1400	CAMPO	STATOR
27	AE860R1027	RODAMIENTO	BALL BEARING
28	AE860R1028	CARCASA	HOUSING
29	AE860R1029	LAMPARA	LAMP
30	AE860R1030	CHIMENEA	LAMP-CHIMNEY
31	AE860R1031	PROTECTOR DE CABLE	CORD PROTECTOR
32	AE860R1032	CABLE Y ENCHUFE	CORD AND PLUG
33	AE860R1033	CLIP	CORD CLIP
34	AE860R1034	TORNILLO	SCREW D
35	AE860R1035	POSTE	BINDING POST
500	AE860R1500	INTERRUPTOR	SWITCH
37	AE860R1037	TORNILLO	SCREW B
600	AE860R1600	JGO. DE CARBONES	CARBON BRUSH
700	AE860R1700	PORTACARBONES	BRUSH HOLDER
40	AE860R1040	MANIJA	HANDLE
41	AE860R1041	TORNILLO	SCREW E
42	AE860R1042	ETIQUETA	NAMEPLATE