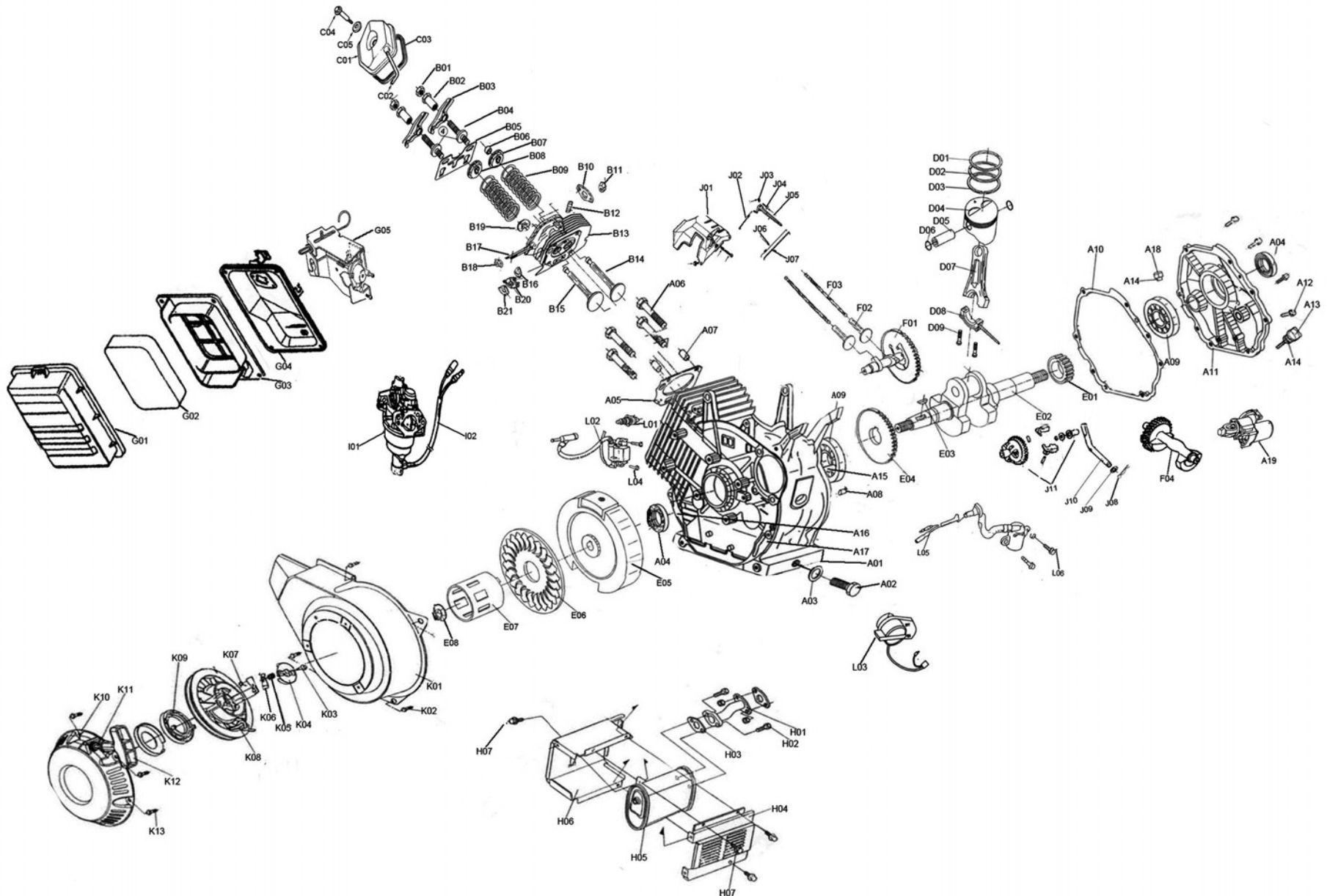




BELARRA

GG 8500E

GENERADOR A GASOLINA





BELARRA



GG 8500E

GENERADOR A GASOLINA

A01	GG8500ERA01	BLOQUE DE CILINDRO	CYLINDER BLOCK				
A02	GG8500ERA02	ENCHUFE DE DRENAJE	DRAIN SCREW PLUG	D01	GG8500ERD01	PRIMER ARO DE AIRE	FIRST AIR RING
A03	GG8500ERA03	JUNTA	GASKET OF DRAIN SCREW PLUG	D02	GG8500ERD02	SEGUNDO ARO DE AIRE	SECOND AIR RING
A04	GG8500ERA04	JUNTA	OIL SEAL	D03	GG8500ERD03	ARO SELLADOR	OIL RING
A05	GG8500ERA05	JUNTA DE CILINDRO	CYLINDER HEAD COVER GASKET	D04	GG8500ERD04	PISTON	PISTON
A06	GG8500ERA06	PERNO	CYLINDER HEAD COVER BOLT	D05	GG8500ERD05	PERNO DE PISTON	PISTON PIN
A07	GG8500ERA07	PERNO	CYLINDER HEAD COVER ALIGNING PIN	D06	GG8500ERD06	ANILLO RETENTOR	RETAINER RING
A08	GG8500ERA08	PERNO	CRANKCASE COVER ALIGNING PIN	D07	GG8500ERD07	CUERPO DE BIELA	CONNECTING ROD BODY
A09	GG8500ERA09	RODAMIENTO	BALL BEARING	D08	GG8500ERD08	CUBIERTA DE BIELA	CONNECTING ROD COVER
A10	GG8500ERA10	JUNTA DE CILINDRO	CRANKCASE COVER GASKET	D09	GG8500ERD09	PERNO DE BIELA	CONNECTING ROD BOLT
A11	GG8500ERA11	CUBIERTA	CRANKCASE COVER				
A12	GG8500ERA12	PERNO	CRANKCASE COVER BOLT	E01	GG8500ERE01	ENGRANAJE TEMPORIZADOR	TIMING GEAR
A13	GG8500ERA13	TAPON DE TANQUE	OIL FILLER CAP	E02	GG8500ERE02	CIGÜEÑAL	CRANKSHAFT
A14	GG8500ERA14	JUNTA	OIL FILLER CAP GASKET	E03	GG8500ERE03	LLAVE ASPERSULA	WOODRUFF KEY
A15	GG8500ERA15	BRAZO GOBERNANTE	GOVERNOR ARM SHAFT	E04	GG8500ERE04	ENGRANAJE DE MANEJO	DRIVING GEAR
A16	GG8500ERA16	PLACA INDUCTORA	AIR INDUCTING PLATE	E05	GG8500ERE05	VOLANTE	FLYWHEEL UNIT
A17	GG8500ERA17	PLACA GUIA	AIR GUIDANCE PLATE	E06	GG8500ERE06	IMPULSOR	IMPELLER
A18	GG8500ERA18	PERILLA	OIL FILLER SCREW PLUG	E07	GG8500ERE07	RIEL DE ARRANQUE	STARTING RATCHET REEL
A19	GG8500ERA19	ARRANCADOR DE MOTOR	STARTING MOTOR	E08	GG8500ERE08	TUERCA DE VOLANTE	FLYWHEEL NUT
B01	GG8500ERB01	TUERCA DE AJUSTE	ROCKER ARM PIVOT ADJUSTING NUT	F01	GG8500ERF01	ARBOL DE LEVAS	CAMSHAFT
B02	GG8500ERB02	BALANCIN PIVOTE	ROCKER ARM PIVOT	F02	GG8500ERF02	PALANCA	AIR VALVE TAPPET
B03	GG8500ERB03	VALVULA DE AIRE	AIR VALVE ROCKER ARM	F03	GG8500ERF03	VARILLA DE EMPUJE	AIR VALVE PUSH ROD
B04	GG8500ERB04	PERNO PIVOTE	ROCKER ARM PIVOT BOT	F04	GG8500ERF04	EJE DE BALANCE	BALANCE SHAFT
B05	GG8500ERB05	PLACA GUIA	PUSH ROD GUIDANCE PLATE				
B06	GG8500ERB06	AMORTIGUADOR DE AJUSTE	ADJUSTING CUSHION OF EXHAUST VALVE	G01	GG8500ERG01	CUBIERTA	AIR CLEANER COVER
B07	GG8500ERB07	ASIENTO DE RESORTE	EXHAUST VALVE SPRING SEAT	G02	GG8500ERG02	ELEMENTO	ELEMENT
B08	GG8500ERB08	ASIENTO DE RESORTE	INLET VALVE SPRING SEAT	G03	GG8500ERG03	CUBIERTA INFERIOR	BOTTOM COVER
B09	GG8500ERB09	RESORTE DE VALVULA	VALVE SPRING	G04	GG8500ERG04	UNIDAD INFERIOR	AIR CLEANER BOTTOM CASE UNIT
B10	GG8500ERB10	JUNTA DE ESCAPE	EXHAUST PIPE GASKET	G05	GG8500ERG05	BOMBA GOBERNANTE	GOVERNING PUMP (CHOKE VALVE)
B11	GG8500ERB11	TUERCA DE AJUSTE	NUT M8				
B12	GG8500ERB12	TARUGO	STUD AM8*20	H01	GG8500ERH01	ENSAMBLE DE ESCAPE	EXHAUST PIPE WELDMENT ASSERN
B13	GG8500ERB13	CUBIERTA	CYLINDER HEAD COVER MACHINERY UNIT	H02	GG8500ERH02	PERNO	BOLT M6*15
B14	GG8500ERB14	VALVULA DE ESCAPE	EXHAUST VALVE	H03	GG8500ERH03	JUNTA DE SILENCIADOR	MUFFLER GASKET
B15	GG8500ERB15	VALVULA DE ENTRADA	INLET VALVE SPRING SEAT	H04	GG8500ERH04	ENSAMBLE DE SILENCIADOR	MUFFLER OUTSIDE FRAME WELDMENT ASSERN
B16	GG8500ERB16	JUNTA DE ESCAPE	INLET PIPE GASKET	H05	GG8500ERH05	ENSAMBLE DE SILENCIADOR	MUFFLER WELDMENT ASSERN
B17	GG8500ERB17	TARUGO	INLET PIPE STUD	H06	GG8500ERH06	MARCO INTERNO	MUFFLER INSIDE FRAME WELDMENT ASSERN
B18	GG8500ERB18	TUERCA DE AJUSTE	NUT M6	H07	GG8500ERH07	PERNO	BOLT M6*12
B19	GG8500ERB19	SELLO DE ACEITE	OIL SEAL OF INLET VALVE CONDUCT	H08	GG8500ERH08	SILENCIADOR COLA CUBIERTA	PROTECTOR MUFFLER SIDE
B20	GG8500ERB20	AMORTIGUADOR	INSULATION CUSHION OF CARBURETOR				
B21	GG8500ERB21	JUNTA DE CARBURADOR A	CARBURETOR GASKET A	I01	GG8500ERI01	CARBURADOR	CARBURETOR
				I02	GG8500ERI02	VENTILACION	VENTIDUCT
C01	GG8500ERC01	CUBIERTA DE CILINDRO	CYLINDER HEAD COVER UNIT				
C02	GG8500ERC02	PIE DE GOMA	RUBBER FOOT				
C03	GG8500ERC03	JUNTA DE TAPA DE VALVULAS	OHV COVER GASKET				
C04	GG8500ERC04	PERNO	BOLT M6*12				
C05	GG8500ERC05	ARANDELA	WASHER				



BELARRA



GG 8500E

GENERADOR A GASOLINA

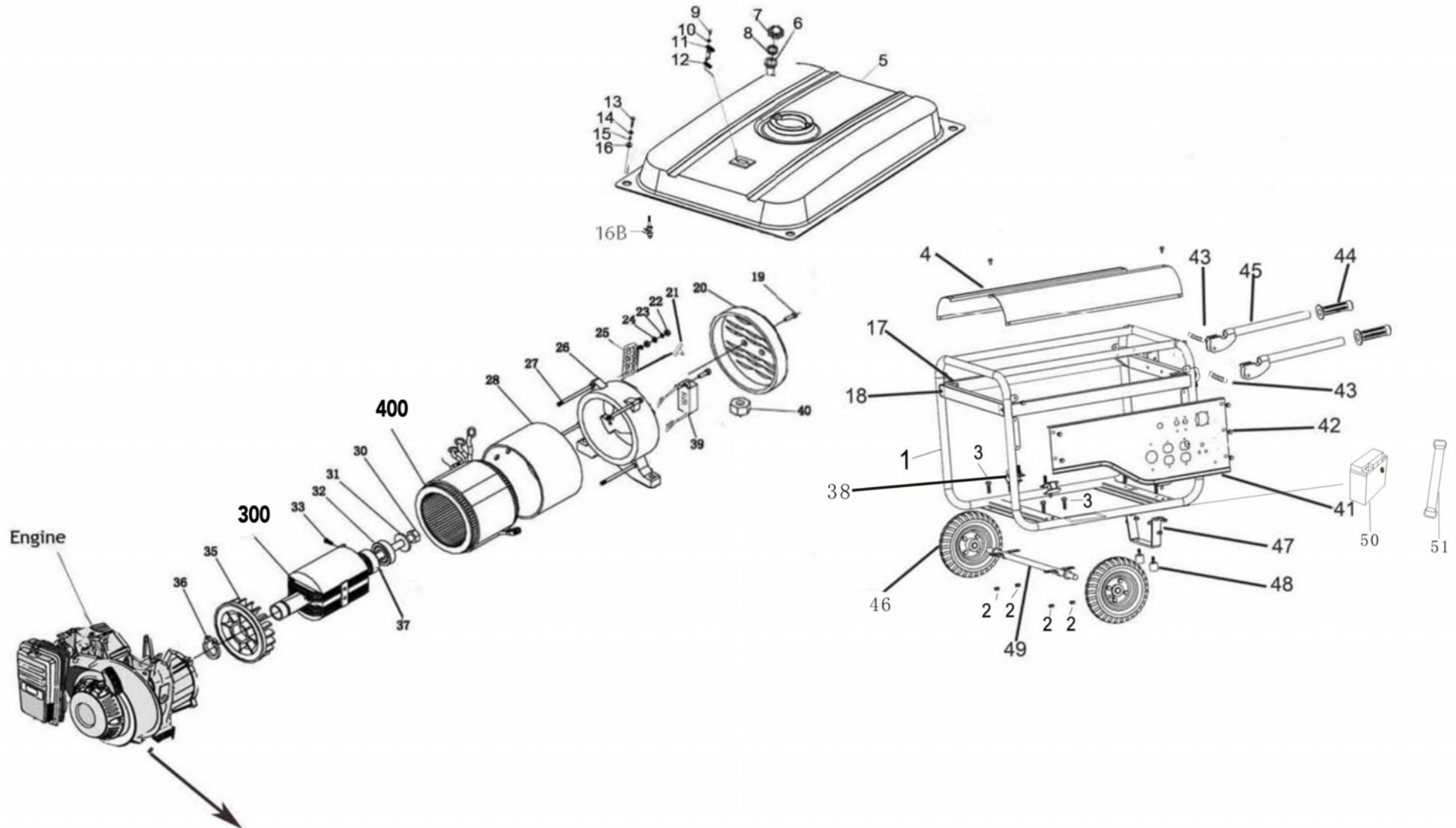
J01	GG8500ERJ01	CONTROLADOR DE ARRANQUE	THROTTLE CONTROL ASSEMBLY
J02	GG8500ERJ02	RESORTE	GOVERNOR SPRING
J03	GG8500ERJ03	TUERCA M6	NUT M6
J04	GG8500ERJ04	PERNO	BOLT
J05	GG8500ERJ05	BRAZO CONTROLADOR	GOVERNOR ARM
J06	GG8500ERJ06	RESORTE	SPRING (PULL ROD)
J07	GG8500ERJ07	VARILLA DE EMPUJE	PULL ROD
J08	GG8500ERJ08	CLIP CIRCULAR	CLIP (GOVERNOR ARM SHAFT)
J09	GG8500ERJ09	JUNTA	GASKET
J10	GG8500ERJ10	EJE DE CONTROLADOR	GOVERNOR ARM SHAFT
J11	GG8500ERJ11	ENGRANAJE CONTROLADOR	GOVERNOR GEAR
K01	GG8500ERK01	CUBIERTA	FAN COVER
K02	GG8500ERK02	PERNO	BOLT M6*12
K03	GG8500ERK03	PERNO DE TRABA	LOCK BOLT
K04	GG8500ERK04	CUBIERTA DE RIEL	REEL COVER
K05	GG8500ERK05	ANILLO DE ACERO	STEEL RING
K06	GG8500ERK06	TRINQUETE	RATCHET
K07	GG8500ERK07	RESORTE DE TRINQUETE	RATCHET SPRING
K08	GG8500ERK08	RIEL DE ARRANQUE	STARTER REEL
K09	GG8500ERK09	RESORTE DE ARRANQUE	RECOIL STARTER SPRING
K10	GG8500ERK10	CARCASA EXTERNA	STARTER OUTSIDE CASE
K11	GG8500ERK11	CUERDA DE ARRANQUE	STARTER ROPE
K12	GG8500ERK12	MANIJA DE ARRANQUE	STARTER HANDLE
K13	GG8500ERK13	PERNO M6*8	BOLT M6*8
L01	GG8500ERL01	BUJIA	SPARK PLUG BP6ES
L02	GG8500ERL02	MODULO DE ENCENDIDO	HIGH VOLTAGE SET
L03	GG8500ERL03	INTERRUPTOR DE MOTOR	ENGINE SWITCH
L04	GG8500ERL04	PERNO	BOLT M6*25
L05	GG8500ERL05	ALARMA DE NIVEL DE ACEITE	LOW OIL ALARM
L06	GG8500ERL06	PERNO	BOLT M6*16



BELARRA

GG 8500E

GENERADOR A GASOLINA





BELARRA

GG 8500E

GENERADOR A GASOLINA



1	GG8500ER1001	MARCO	FRAME
2	GG8500ER1002	PERNO	M6 FLANGE BOLT
3	GG8500ER1003	PERNO	M6X35 BOLT
4	GG8500ER1004	PLACA	ARC BOARD
5	GG8500ER1005	TANQUE DE COMBUSTIBLE	FUEL TANK
6	GG8500ER1006	JUNTA DE FILTRO	NET CUP
7	GG8500ER1007	CUBIERTA	FUEL TANK COVER
8	GG8500ER1008	COLLAR	FUEL TANK COVER SEAL PACKING COLLAR
9	GG8500ER1009	PERNO	M5X8 HALF BOLT
10	GG8500ER1010	AMORTIGUADOR	PLAIN CUSHION
11	GG8500ER1011	SENSOR	FUEL METER
12	GG8500ER1012	PANEL DE GOMA	FUEL METER RUBBER PAD
13	GG8500ER1013	PERNO	M6X25 BOLT
14	GG8500ER1014	AMORTIGUADOR	6 BIG SIDE PLAIN CUSHION
15	GG8500ER1015	FORRAJE	BUSH
16	GG8500ER1016	ANTI GOLPE	FUEL TANK ANTIRATTLER
16-B	GG8500ER1016-B	GRIFO	FUEL COCK
17	GG8500ER1017	MARCO OREJA	FRAME LUG
18	GG8500ER1018	ESTANTES	SAID SHELVES
19	GG8500ER1019	PERNO	M6X8 BOLT
20	GG8500ER1020	CAPUCHA	ALTERNATOR BACK COWL
21	GG8500ER1021	CEPILLO	BRUSH
22	GG8500ER1022	TUERCA	M5 NUT
23	GG8500ER1023	PANEL	5 BALL PAD
24	GG8500ER1024	AMORTIGUADOR	5 PLAIN CUSHION
25	GG8500ER1025	PLACA DE CABLEADO	WIRE BOARD
26	GG8500ER1026	CUBIERTA TRASERA	ALTERNATOR BACK COVER
27	GG8500ER1027	PERNO	NEARBY STATOR BOLT
28	GG8500ER1028	ESCUDO DE GUARDA	ELECTRICAL MACHINERY GUARD SHIELD
400	GG8500ER1029	CAMPO	STATOR
30	GG8500ER1030	PERNO	ALTERNATOR CENTER BOLT
31	GG8500ER1031	AMORTIGUADOR	10 BIG SIDE PLAIN CUSHION
32	GG8500ER1032	RODAMIENTO	BEARING
33	GG8500ER1033	PERNO	BOLT
300	GG8500ER1034	INDUCIDO	ROTOR
35	GG8500ER1035	TURBINA	COOLING FAN
36	GG8500ER1036	ANILLO ELASTICO	AXIS ELASTIC RING
37	GG8500ER1037	ANILLO CONECTOR	CONNECT RING
38	GG8500ER1038	AMORTIGUADOR DE GOMA	ABSORBER
39	GG8500ER1039	AVR	AVR
40	GG8500ER1040	PERNO	M8 FLANGE BOLT
41	GG8500ER1041	PANEL DE CONTROL	PANEL CONTROL COMP.
42	GG8500ER1042	PERNO	BOLT
43	GG8500ER1043	RESORTE	SPRING
44	GG8500ER1044	CUBIERTA	HANDLE COVER
45	GG8500ER1045	MANGO	HANDLE
46	GG8500ER1046	RUEDAS	WHEELS
47	GG8500ER1047	PIE DE GOMA	FRAME SUPPORTER FEET
48	GG8500ER1048	SOPORTE DE MARCO	FRAME SUPPORTER
49	GG8500ER1049	EJE	AXLE
50	GG8500ER1050	BATERIA	BATTERY ASSY
51	GG8500ER1051	ESTANTE DE BATERIA	BATTERY TIE