

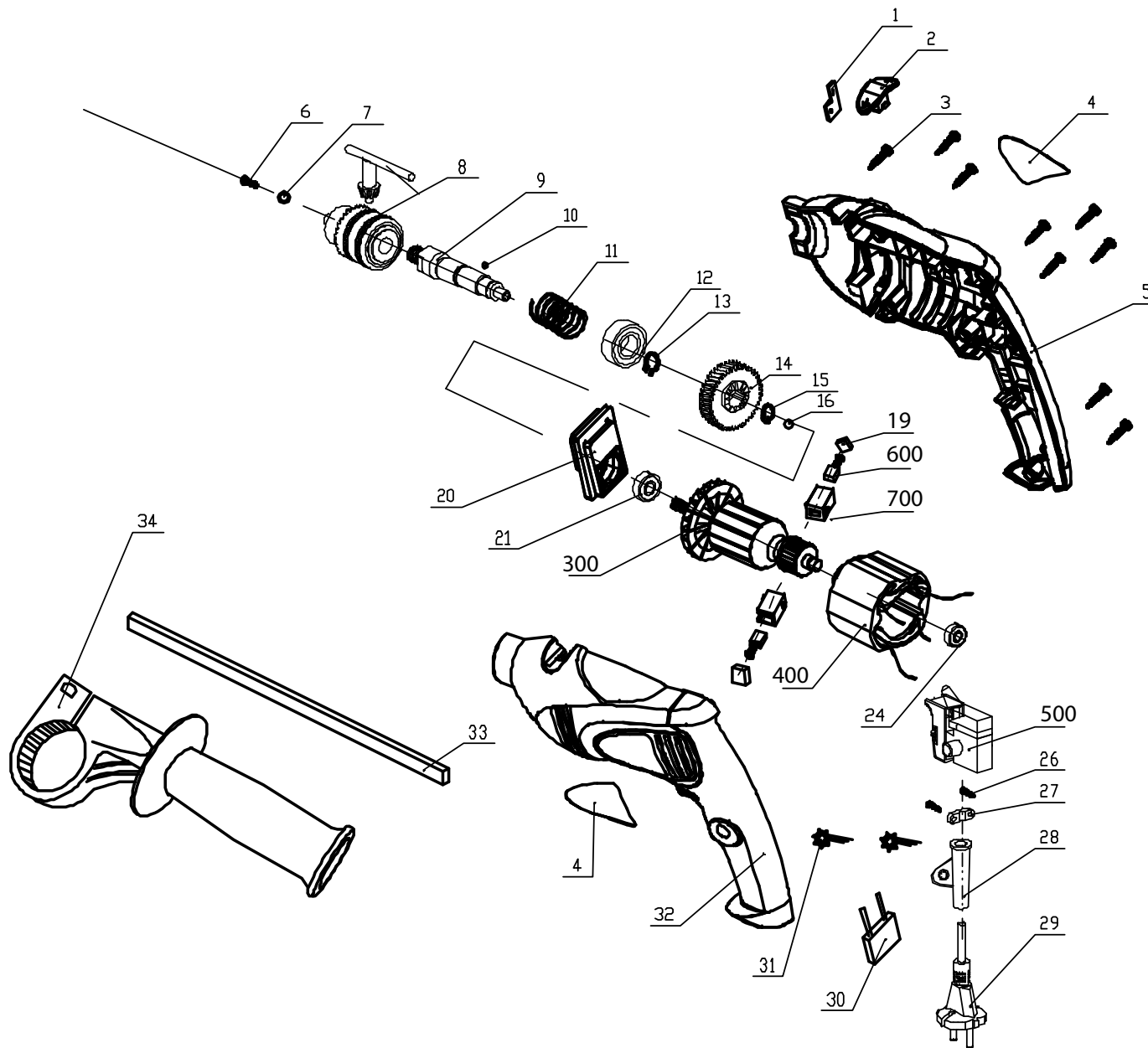


SALKOR

TALADRO PERCUTOR



TP 413/2





SALKOR

TALADRO PERCUTOR



TP 413/2

1	TP413-2R1001	SELECTOR DE FUNCION	IMPACT BUTTON
2	TP413-2R1002	PIEZA	IMPACT PIECE
3	TP413-2R1003	TORNILLO	CHUCK SCREW
4	TP413-2R1004	ETIQUETA	NAME PLATE
5	TP413-2R1005	CARCASA DERECHA	RIGHT ENCLOSURE
6	TP413-2R1006	TORNILLO	CHUCK SCREW
7	TP413-2R1007	ARANDELA	PLAIN WASHER
8	TP413-2R1008	MANDRIL	CHUCK
9	TP413-2R1009	HACHAS DE SALIDA	OUT-PUT AXES
10	TP413-2R1010	LLAVE ASPERSULA	WOODRUFF KEY
11	TP413-2R1011	RESORTE	IMPACT SPRING
12	TP413-2R1012	RODAMIENTO	BEARING 6201
13	TP413-2R1013	ANILLO	SEAL RING
14	TP413-2R1014	ENGRANAJE	GEAR WHEEL
15	TP413-2R1015	ANILLO	SEAL RING
16	TP413-2R1016	RODAMIENTO	OGALLAY BEARING
700	TP413-2R1700	PORTA CARBONES	BRUSH HOLDER
600	TP413-2R1600	JUEGO DE CARBONES	CARBON BRUSH
19	TP413-2R1019	TUERCA	BRUSH NUT
20	TP413-2R1020	MASA DE IMPACTO	IMPACT DOLLOP
21	TP413-2R1021	RODAMIENTO	BEARING 608
300	TP413-2R1300	INDUCIDO	ARMATURE
400	TP413-2R1400	CAMPO	STATOR
24	TP413-2R1024	RODAMIENTO	BEARING 626
500	TP413-2R1500	INTERRUPTOR	SWITCH
26	TP413-2R1026	TORNILLO	SCREW ST 4X16
27	TP413-2R1027	GANCHO DE CABLE	CABLE CLIP
28	TP413-2R1028	CAMISA DE CABLE	CABLE JACKET
29	TP413-2R1029	CABLE	CABLE
30	TP413-2R1030	CAPACITANCIA	CAPACITANCE
31	TP413-2R1031	BOBINA	COIL
32	TP413-2R1032	CARCASA IZQUIERDA	LEFT ENCLOSURE
33	TP413-2R1033	MEDIDOR DE PROFUNDIDAD	STAFF
34	TP413-2R1034	MANIJA LATERAL	SIDE HANDLE