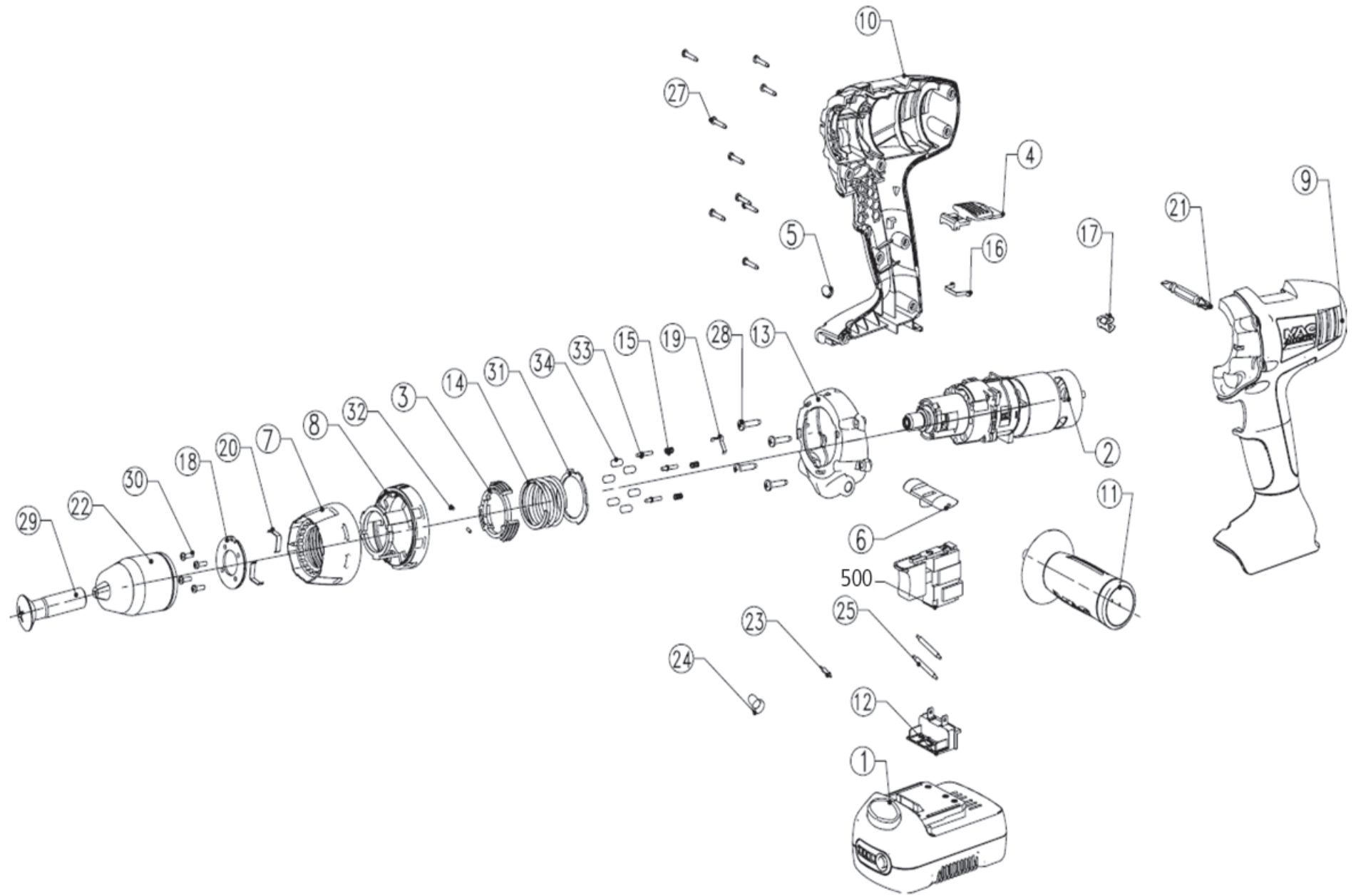




TP 1013/1k1

TALADRO PERCUTOR RECARGABLE





TP 1013/1k1

TALADRO PERCUTOR RECARGABLE

1	TP1013-1K1R1001	BATERIA	5122 POWER PACK
2	TP1013-1K1R1002	MOTOR COMPLETO	MOTOR & GEAR ASSEMBLY
3	TP1013-1K1R1003	MANGA	SLEEVE
4	TP1013-1K1R1004	BOTON VELOCIDAD VARIABLE	SPEED CHANGE BUTTON
5	TP1013-1K1R1005	CUBIERTA	LED COVER
6	TP1013-1K1R1006	BOTON AVANCE RETROCESO	F/R BUTTON
7	TP1013-1K1R1007	TAPON DE EMBRAGUE	CLUTCH CAP
8	TP1013-1K1R1008	TAPON	TURNTABLE CLUTCH CAP
9	TP1013-1K1R1009	CARCASA IZQUIERDA	LEFT HOUSING ASSEMBLY
10	TP1013-1K1R1010	CARCASA DERECHA	RIGHT HOUSING ASSEMBLY
11	TP1013-1K1R1011	MANGO LATERAL	HANDLE
12	TP1013-1K1R1012	RECEPTACULO	CONTACT RECEPTACLE ASSY
13	TP1013-1K1R1013	CUBIERTA DECORATIVA	DECORATE COVER
14	TP1013-1K1R1014	RESORTE	SPRING
15	TP1013-1K1R1015	RESORTE	SPRING
16	TP1013-1K1R1016	RESORTE	STOP SPRING
17	TP1013-1K1R1017	SOSTEN DE PUNTAS	BITS HOLDER
18	TP1013-1K1R1018	PLACA	MOUNTING PLATE
19	TP1013-1K1R1019	TOPE DE RESORTE	SPRING STOP
20	TP1013-1K1R1020	TOPE DE RESORTE	SPRING STOP
21	TP1013-1K1R1021	PUNTA ATORNILLADORA	SCREW BIT
22	TP1013-1K1R1022	MANDRIL	CHUCK
23	TP1013-1K1R1023	RESISTENCIA	LEAD RESISTOR
24	TP1013-1K1R1024	LUZ LED	LED
25	TP1013-1K1R1025	CABLEADO INTERNO	INNER WIRE
500	TP1013-1K1R1500	INTERRUPTOR	SWITCH
27	TP1013-1K1R1027	TORNILLO	TAPPING SCREW
28	TP1013-1K1R1028	TORNILLO	TAPPING SCREW
29	TP1013-1K1R1029	TORNILLO	SCREW
30	TP1013-1K1R1030	TORNILLO	SCREW
31	TP1013-1K1R1031	JUNTA	GASKET 1
32	TP1013-1K1R1032	PERNO	PIN
33	TP1013-1K1R1033	TRABA DE PERNO	LOCK PIN
34	TP1013-1K1R1034	PERNO DE TORQUE	TORQUE PIN